

HVR05-2A04-02 Product Datasheet

Rebuilt engineering datasheet using server-side original source files where available. The old source contact information is not reused; current website/contact information is shown in header and footer.

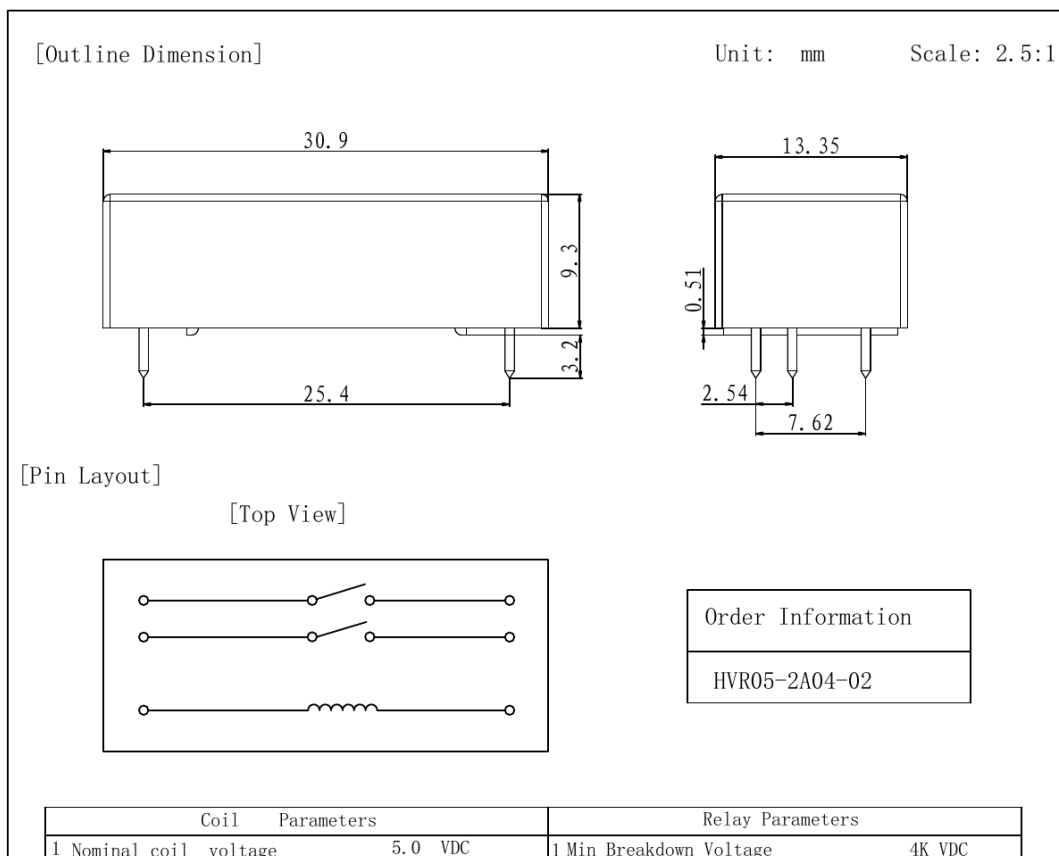
Source validation

Source: HVR05-2A04-02.pdf

Original PDF/Image embedded as dimension reference

Original source used as screenshot/data reference; contact header/footer replaced with current Reed Relay website information.

Mechanical dimensions / source drawing screenshot



Screenshot is cropped from the original server-side file to show dimensional/specification drawing while avoiding obsolete contact headers. Confirm the final signed drawing before PCB, busbar, mounting-hole or tooling release.

Clear selection method

Step	How to select
1. Coil voltage	Digits such as 05/12/24 indicate nominal coil/input voltage when present.
2. Contact form	1A/1B/1C/2A/3A/4A define contact form and channel count.
3. Voltage/contact class	Numeric class and family prefix indicate high-voltage or mercury-wetted relay capability; confirm switching voltage/current from the source table.

RFQ checklist

- Exact target model or competitor part number
- Switching/carry current, voltage, load type and duty cycle
- Coil/control voltage and suppression requirements
- Mounting space, PCB/busbar/cable constraints and operating temperature
- Sample quantity, annual forecast and any drawing/customer specification

4. Package/pin option

Suffix such as -04, -06, -150, -P*, -H or module code defines lead, shield, pin/package or customer option; use the drawing before PCB release.

Extracted useful source specifications

Original source text excerpts

Coil Voltage 5V

[Outline Dimension] | Unit: | mm | Scale: 2.5:1

Coil | Parameters | Relay Parameters

1 Nominal coil voltage | 5.0 VDC | 1 Min Breakdown Voltage | 4K VDC

2 Max Operating voltage | 7.0 VDC | 2 Dielectric Strength coil/contact 4K VDC

3 Max Pull-in voltage | 3.8 VDC | 3 Insulation Resistance coil/contact 1.00E+12ohm

4 Min Drop-out voltage | 0.5 VDC | 4 Operate Time,incl.Bounce | 1.0ms

5 Coil Resistance | 150ohm | 5 Reset Time | 0.1ms

Contact Parameters | 6 Capacitance Across Contacts | 0.2pF

1 Max Contact Rating | 100 W | 7 Storage | Temperature | -35 ~

2 Max Switch Voltage | 1000VACpeak/VDC | 8 | -20 ~

3 Max Switch Current | 1.0 A | 9 Soldering Temperature

4 Max Carrying Current | 2.5 A

5 Min Breakdown Voltage | 4K VDC

6 Max Contact Resistance | 150 mohm

Text excerpts are taken from the original source file after removing obsolete contact lines. If a value is unclear in OCR/text extraction, rely on the embedded source drawing and request confirmation.

Production notice: This rebuilt datasheet is for RFQ and preliminary selection. For high-voltage, mercury-wetted, EV/ESS/PV, medical, safety-critical or customer-specific applications, final signed MiRelay drawings and validation are required.