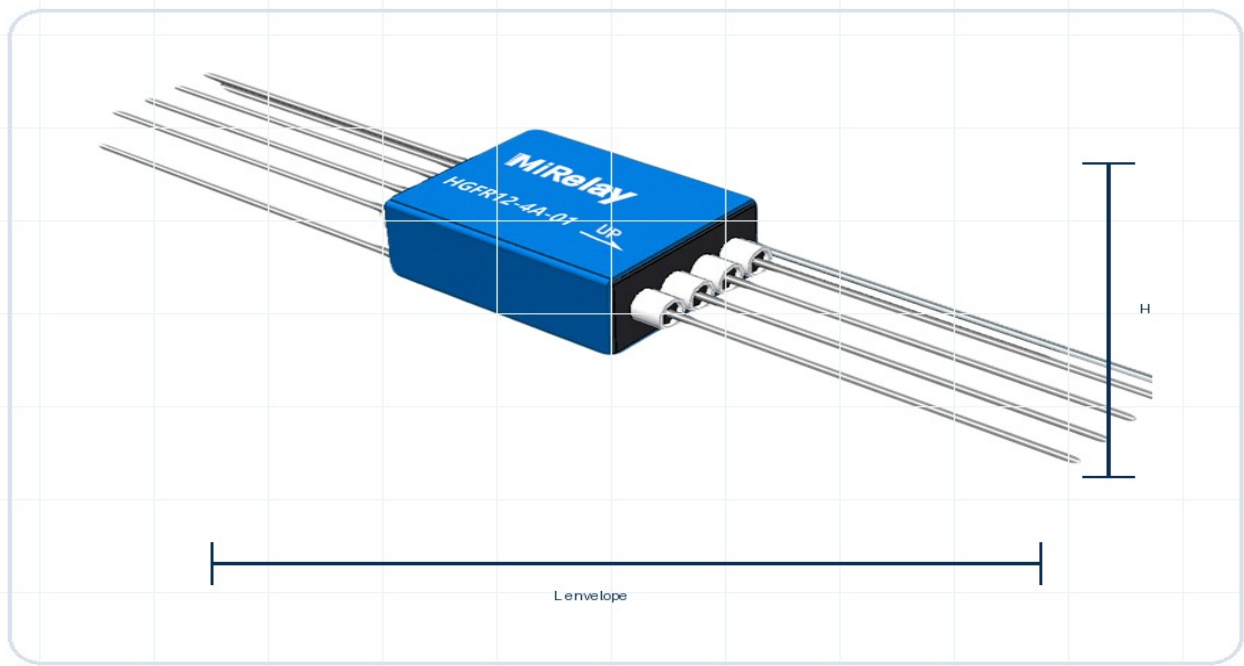


Family Datasheet: Mercury Wetted Reed Relays

Selection catalog and application datasheet for HGFR, HGMR, HGSR, HVR-HG, MH and SIP-HG mercury-wetted relays.



Reference basis: MiRelay internal product samples, local specification files, product images and public-format review of comparable supplier catalogs such as Pickering, Standex/Meder, Coto, Toward and Littelfuse. Content is rewritten into MiRelay style; exact production ratings and drawings are confirmed by RFQ.

Selection overview

Selection item	What to check
Bounce behavior	Mercury-wetted contact interface for low-bounce / stable pulse switching
Orientation	Position-sensitive; vertical installation and orientation window must be validated
Current path	HGFR/HGSR/MH for higher current or multi-pole requirements
Voltage class	Select by switching voltage, dielectric strength and leakage target
Restriction	Confirm mercury acceptance by end-market regulation before design-in

Representative models

Model / series	Selection role
HGFR12-4A	Representative model / family member for comparison and RFQ discussion. Confirm exact voltage, contact form, package and drawing before ordering.
HGFR24-2A-01	Representative model / family member for comparison and RFQ discussion. Confirm exact voltage, contact form, package and drawing before ordering.
HGMR12-1A001	Representative model / family member for comparison and RFQ discussion. Confirm exact voltage, contact form, package and drawing before ordering.

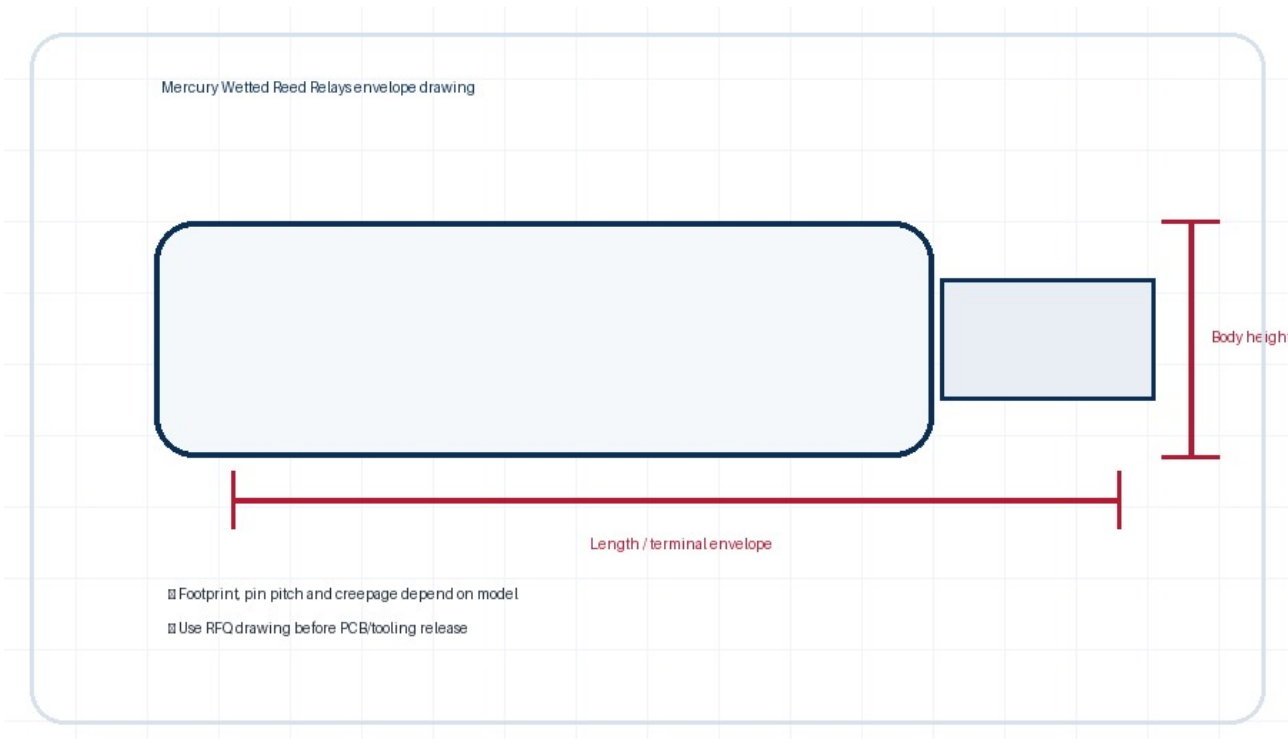
HGSR12-2A04	Representative model / family member for comparison and RFQ discussion. Confirm exact voltage, contact form, package and drawing before ordering.
HVR1A12-HG	Representative model / family member for comparison and RFQ discussion. Confirm exact voltage, contact form, package and drawing before ordering.
MH12-1A8K	Representative model / family member for comparison and RFQ discussion. Confirm exact voltage, contact form, package and drawing before ordering.

Ordering code interpretation

Example code: HGFR 12 - 4A - 01

Code block	Meaning
HGFR	High-voltage mercury-wetted reed relay family
12	Coil voltage: 05 / 12 / 24 VDC
4A	Four Form A normally open contacts
01	Package / terminal / shield option

Dimension and drawing guidance



Orientation mark, lead pitch and shield pin location are critical for mercury-wetted relay layout.

Application fit

Semiconductor ATE pulse switching Counter / pulse generation Low-resistance measurement switching High-stability instrumentation

RFQ checklist

Send: target model or competitor cross-reference, switching/carry current, voltage, load type, coil/control voltage, contact form/output, mounting limits, environment, sample quantity and annual forecast. Attach PCB/mechanical drawings where available.

Compliance note

For safety-critical, medical, EV, PV or mercury-wetted applications, this guide is not a final approval document. Use the final signed datasheet, drawing and customer validation plan for production release.