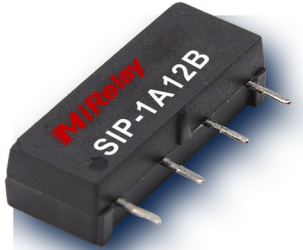


SIP-1A12B

High Voltage Reed Relay

PRODUCT VISUAL



exact external product image plus source pin/pincode layout

KEY RATINGS

COIL VOLTAGE

12 VDC

CONTACT FORM

1 Form A

SWITCH VOLTAGE

200V ACpeak/DC

OPTION

B: Diode

OVERVIEW

- Hermetically sealed for long life
- Excellent lifetime characteristics
- Low contact resistance
- Custom design available

COIL DATA

Nominal Coil Voltage	12 VDC
Max Operating Voltage	30 VDC
Coil Resistance	1000 Ω
Max Pull-in Voltage	8.6 VDC
Min Drop-out Voltage	1.5 VDC

CONTACT RATINGS

Contact Form	1 Form A
Max Contact Rating	10 W
Max Switch Voltage	200V ACpeak/DC
Max Switch Current	0.5 A
Max Carrying Current	1.0 A
Min Breakdown Voltage	250 VDC
Max Contact Resistance	150 mΩ

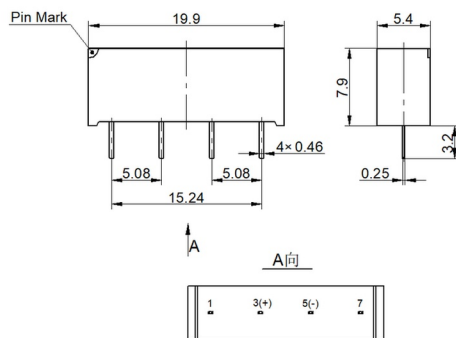
ELECTRICAL CHARACTERISTICS

Dielectric Coil/Contact	1.4 kVDC
Insulation Coil/Contact	1.00E+10 Ω
Operate Time incl. Bounce	0.3 ms
Reset Time	0.3 ms
Capacitance Across Contacts	0.4 pF

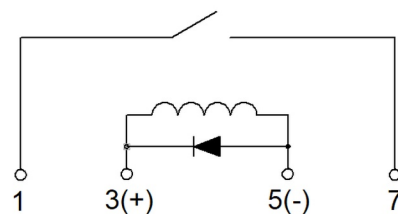
ENVIRONMENTAL / OPTIONS

Operating Temperature	-20°C to +70°C
Storage Temperature	-35°C to +105°C
Soldering Temperature	260°C, 5 sec max

MECHANICAL OUTLINE / DIMENSIONS



CIRCUIT / MARKING / TERMINAL VIEW



ORDERING & SOURCE TRACEABILITY

SIP-1A12B — SIP product model, 1 Form A, 12 = 12 VDC coil, B = Diode option

Source: SIP-1A12B.pdf

Technical values are preserved from source PDFs / generated metadata. Original outline and circuit figures are reused where available; do not treat artwork proportions as standalone dimensional authority.