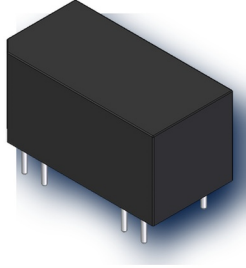


## DIL-2A12B

### High Voltage Reed Relay

#### PRODUCT VISUAL



real source image

#### KEY RATINGS

NOMINAL COIL VOLTAGE

**12 VDC**

MAX PULL-IN VOLTAGE

**9 VDC**

MIN DROP-OUT VOLTAGE

**1.5 VDC**

MAXIMUM COIL VOLTAGE

**28 VDC**

CONTACT FORM

**2 Form A / DPST-NO**

MAX CONTACT RATING

**10 W**

#### OVERVIEW

- 14-pin dual in-line package
- 12 VDC coil with diode protection
- 2 Form A normally-open contacts
- Low contact resistance; long life

#### COIL DATA

Nominal Coil Voltage	<b>12 VDC</b>
Max Pull-in Voltage	<b>9 VDC</b>
Min Drop-out Voltage	<b>1.5 VDC</b>
Maximum Coil Voltage	<b>28 VDC</b>
Coil Resistance	<b>1000 ohm</b>

#### CONTACT RATINGS

Contact Form	<b>2 Form A / DPST-NO</b>
Max Contact Rating	<b>10 W</b>
Max Switching Voltage	<b>200 V ACpeak/DC</b>
Max Switching Current	<b>0.5 A DC / Peak AC</b>
Max Carry Current	<b>1.0 A</b>
Max Contact Resistance	<b>150 mOhm</b>
Min Breakdown Voltage	<b>250 VDC</b>
Capacitance Across Contacts	<b>1.0 pF</b>

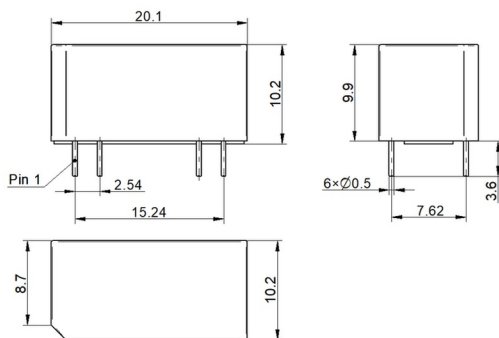
#### ELECTRICAL CHARACTERISTICS

Insulation Coil/Contact	<b>1E10 ohm</b>
Operate Time	<b>0.3 ms</b>
Release Time	<b>0.3 ms</b>
Dielectric Coil/Contact	<b>1400 VDC</b>

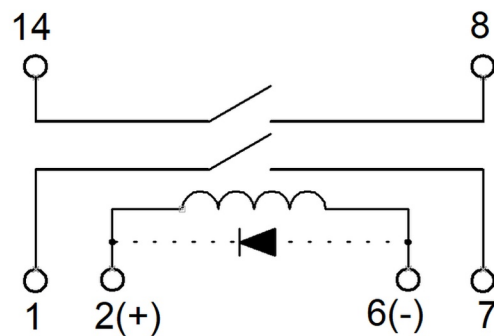
#### ENVIRONMENTAL / OPTIONS

Vibration Resistance	<b>20 G, 0-2000 Hz</b>
Shock Resistance	<b>50 G, 11 ms half-sine</b>
Operating Temperature	<b>-20°C to +70°C</b>
Storage Temperature	<b>-35°C to +105°C</b>

#### MECHANICAL OUTLINE / DIMENSIONS



#### CIRCUIT / MARKING / TERMINAL VIEW



#### ORDERING & SOURCE TRACEABILITY

**DIL-2A12B / 12 VDC / 2 Form A / Coil Diode**

Source: DIL-2A12B.pdf

Technical values are preserved from source PDFs / generated metadata. Original outline and circuit figures are reused where available; do not treat artwork proportions as standalone dimensional authority.