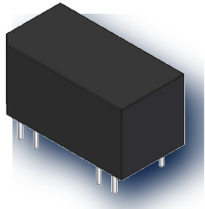


DIL-1C24

High Voltage Reed Relay

PRODUCT VISUAL



real source image

KEY RATINGS

NOMINAL COIL VOLTAGE

24 VDC

MAX PULL-IN VOLTAGE

17 VDC

MIN DROP-OUT VOLTAGE

3.6 VDC

MAXIMUM COIL VOLTAGE

30 VDC

CONTACT FORM

1 Form C / SPDT

MAX CONTACT RATING

5 W

OVERVIEW

- 14-pin dual in-line package
- 24 VDC coil, fast switching
- 1 Form C changeover contact
- RoHS compliant; custom design

COIL DATA

| | |
|----------------------|----------------------|
| Nominal Coil Voltage | 24 VDC |
| Max Pull-in Voltage | 17 VDC |
| Min Drop-out Voltage | 3.6 VDC |
| Maximum Coil Voltage | 30 VDC |
| Coil Resistance | 3000 ohm ±10% |

CONTACT RATINGS

| | |
|--------------------------|----------------------------|
| Contact Form | 1 Form C / SPDT |
| Max Contact Rating | 5 W |
| Max Switching Voltage | 175 VDC / Peak AC |
| Max Switching Current | 0.25 A DC / Peak AC |
| Max Carry Current | 1.5 A |
| Max Contact Resistance | 200 mOhm |
| Dielectric Open Contacts | 200 VDC |
| Dielectric Coil/Contact | 1400 VDC |

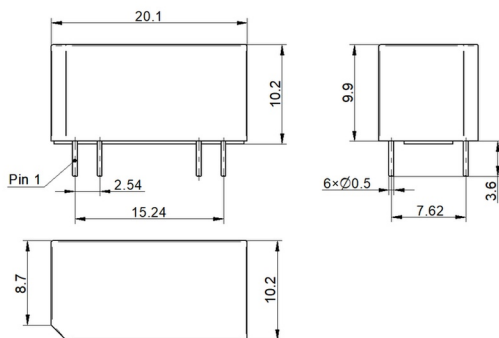
ELECTRICAL CHARACTERISTICS

| | |
|-----------------------|-----------------------------|
| Insulation Resistance | 1E9 ohm |
| Operate Time | 0.7 ms |
| Release Time | 1.0 ms |
| Expected Life | 5×10⁷ ops |

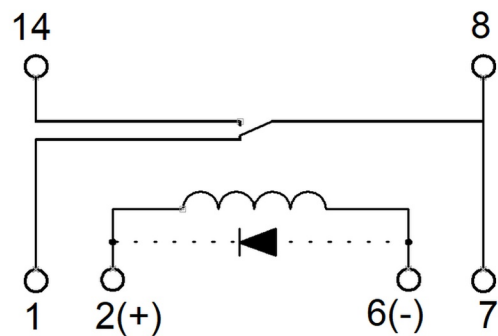
ENVIRONMENTAL / OPTIONS

| | |
|-----------------------|------------------------------|
| Vibration Resistance | 20 G, 0-2000 Hz |
| Shock Resistance | 50 G, 11 ms half-sine |
| Operating Temperature | -40°C to +85°C |
| Storage Temperature | -40°C to +105°C |

MECHANICAL OUTLINE / DIMENSIONS



CIRCUIT / MARKING / TERMINAL VIEW



ORDERING & SOURCE TRACEABILITY

DIL-1C24 / 24 VDC / 1 Form C / Standard

Source: DIL□□□□□□□□.pdf

Technical values are preserved from source PDFs / generated metadata. Original outline and circuit figures are reused where available; do not treat artwork proportions as standalone dimensional authority.