

ESM-20

High Voltage DC Contactor

REAL PRODUCT IMAGE

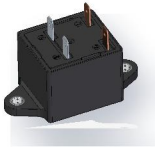


Image extracted from source PDF; border-connected white background removed where applicable.

KEY RATINGS

RATED LOAD

20 A

MAX SWITCHING VOLTAGE

1500 VDC

CONTACT FORM

1 form A

LOAD OUTLET

**Internal
Thread/External...**

OPERATE TIME

<=30

WEIGHT

150 g

PRODUCT FEATURES

- ✓ Ceramic Brazing seal, No arc leakage, Make sure no fire an burst
- ✓ Compact structure, low noise
- ✓ The mixed gas mainly filled with hydrogen can prevent the contact from oxidation and...
- ✓ 20A 85°C long time current carrying capacity
- ✓ The insulation resistance reaches 1000MΩ(1500VDC) and meets the requirements of...

CONTACT / LOAD DATA

Contact Form	1 form A
Contact Rated Load	20 A
Max Switching Voltage	1500 VDC
Max Breaking Current	200A(1000V DC) 1 times
Current Tolerance	30A: 60min; 40A: 20min; 80A: 30s
Contact Resistance	<=5
Mechanical Durability	3x105

RELAY PERFORMANCE

Operating Time	<=30
Release Time	<=10
Insulation Resistance	1000 (1500VDC)
Open Contact Dielectric	4000VAC 50 Hz/60 Hz
Contact/Coil Dielectric	4000VAC 50 Hz/60 Hz
Electrical Endurance	20A 1000VDC (DC-1)

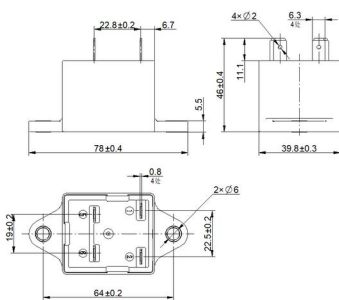
COIL OPTIONS

12V DC	range ±20%Us; pickup 9.6Vmax; dropout 1.2Vmin...
24V DC	range ±20%Us; pickup 19.2Vmax; dropout 2.4Vmin...
48V DC	range ±20%Us; pickup 36.8Vmax; dropout 4.8Vmin...

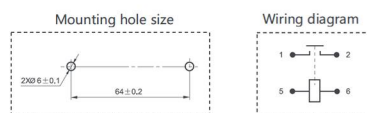
ENVIRONMENT / AUX / MECHANICAL

Operating Temperature	-40~+85
Humidity	5%-85%RH
Vibration	10Hz-500Hz 49 m/s²
Impact Stability	196m/s²
Impact Strength	490 m/s²

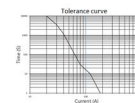
MECHANICAL OUTLINE / DIMENSIONS



MOUNTING / WIRING DIAGRAM



TOLERANCE / PERFORMANCE CURVE



ORDERING & SOURCE TRACEABILITY

EV M-20 A/1500 -12 Q 2 (XXX)

Source PDF: High Voltage DC Contactor ESM-20 Series.pdf

Technical values and diagrams are extracted from source PDF. Verify final order code and optional features with engineering before mass production or quotation.