

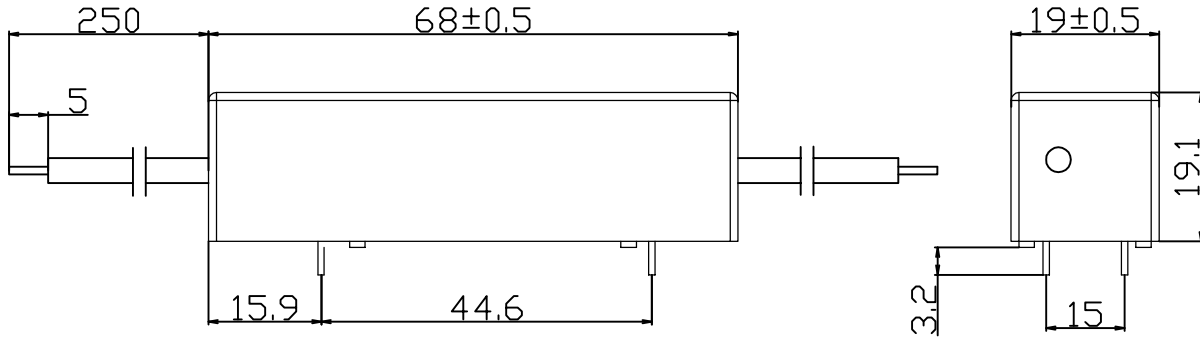
HVR24-1A20-P00

- High Voltage Reed Relay
- Coil Voltage 24V
- Breakdown Voltage up to 20KV

[Outline Dimension]

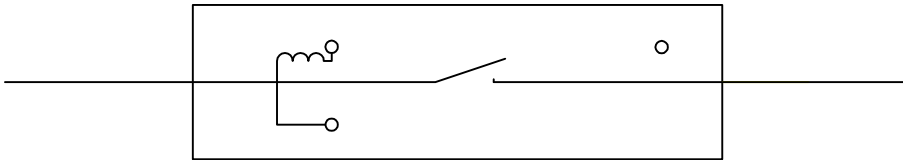
Unit: mm

Scale: 1/1



[Pin Layout]

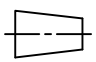

[Top View]



Order Information

HVR24-1A20-P00

Coil Parameters		Relay Parameters	
1 Nominal coil voltage	24 VDC	1 Min Breakdown Voltage	20K VDC
2 Max Operating voltage	29 VDC	2 Dielectric Strength coil/contact	20K VDC
3 Max Pull-in voltage	18 VDC	3 Insulation Resistance coil/contact	1.00E+12ohm
4 Min Drop-out voltage	2 VDC	4 Operate Time, incl. Bounce	3.0ms
5 Coil Resistance	600ohm	5 Reset Time	1.5ms
Contact Parameters		6 Capacitance Across Contacts	0.8pF
1 Max Contact Rating	50 W	7 Storage Temperature	-35~+105°C
2 Max Switch Voltage	10K VACpeak/VDC	8 Operating Temperature	-20~+70 °C
3 Max Switch Current	3.0 A	9 Soldering Temperature	5 sec. max 260°C
4 Max Carrying Current	5.0 A		
5 Min Breakdown Voltage	20K VDC		
6 Max Contact Resistance	250 mohm		

Version: 01	Designed by		TITLE	 
	Checked by		High Voltage Reed Relay	
	Approved by		P/N	Scale: 1:1
	Date	20th, Oct, 2021	HVR24-1A20-P00	Page: 1/1