

HVR12-1A15-04-150

- High Voltage Reed Relay
- Coil Voltage 12V
- Breakdown up to 15KV

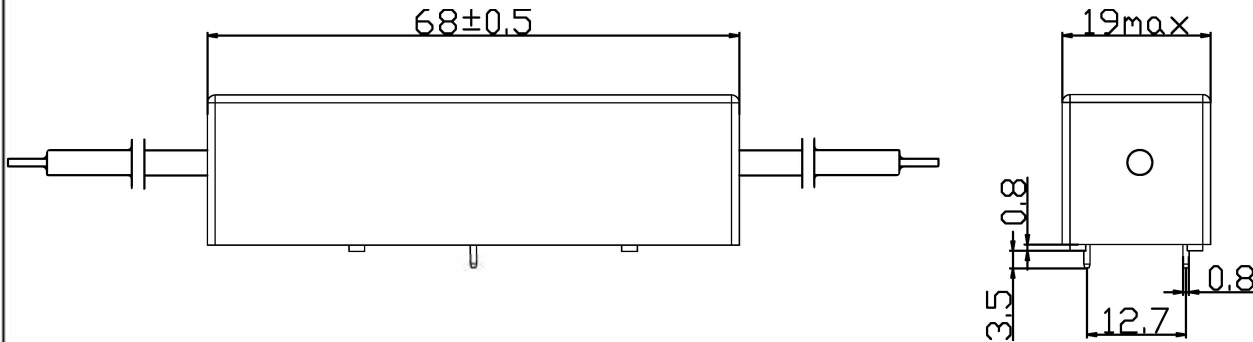
MISENSOR TECH CO,LTD.

Add:No.25 HangMing Road Hangtoun Town,
Pudong new district, Shanghai
TEL:021- 60976207
WhatsApp:+86 13761571029
Http://www.Misensor.net
sales@misensor.net

[Outline Dimension]

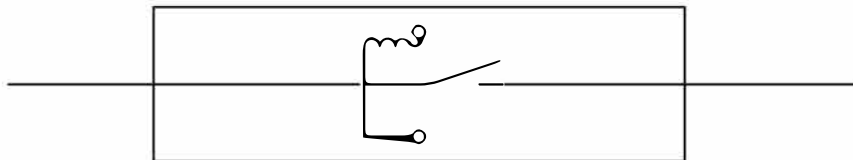
Unit: mm

Scale: 1/1



[Pin Layout]

[Top View]



Order Information

HVR12-1A15-04-150

Coil Parameters		Relay Parameters	
1 Nominal coil voltage	12 VDC	1 Min Breakdown Voltage	15K VDC
2 Max Operating voltage	16 VDC	2 Dielectric Strength coil/contact	15K VDC
3 Max Pull-in voltage	9.0 VDC	3 Insulation Resistance coil/contact	1.00E+12ohm
4 Min Drop-out voltage	1.0 VDC	4 Operate Time, incl. Bounce	3.0ms
5 Coil Resistance	200 ohm	5 Reset Time	1.5ms
Contact Parameters		6 Capacitance Across Contacts	0.8pF
1 Max Contact Rating	50 W	7 Storage Temperature	-35~+105℃
2 Max Switch Voltage	10K VDC	8 Operating Temperature	-20~+70℃
3 Max Switch Current	3.0 A	9 Soldering Temperature	5 sec.max 260℃
4 Max Carrying Current	5.0 A		
5 Min Breakdown Voltage	15K VDC		
6 Max Contact Resistance	150 mohm		

Version: 02	Designed by		TITLE	
	Checked by		High Voltage Reed Relay	
	Approved by		P/N	Scale: 1:1
	Date	5th, Dec, 2012	HVR12-1A15-04-150	Page: 1/1

HVR12-1A15-04

- High Voltage Reed Relay
- Coil Voltage 12V
- Breakdown up to 15KV

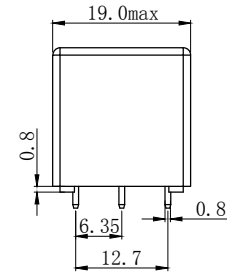
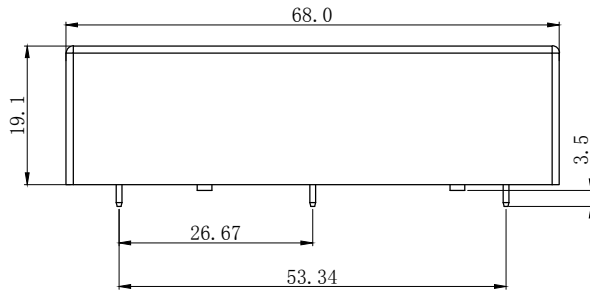
MISENSOR TECH CO,LTD.

Add:No.25 HangMing Road Hangtou Town,
Pudong new district, Shanghai
TEL:021- 60976207
WhatsApp:+86 13761571029
Http://www.Misensor.net
sales@misensor.net

[Outline Dimension]

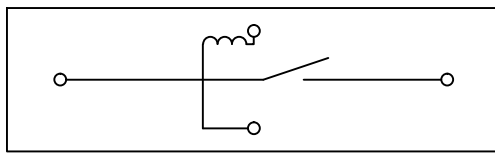
Unit: mm

Scale: 1/1



[Pin Layout]

[Top View]



Order Information

HVR12-1A15-04

Coil Parameters		Relay Parameters	
1 Nominal coil voltage	12 VDC	1 Min Breakdown Voltage	15K VDC
2 Max Operating voltage	16 VDC	2 Dielectric Strength coil/contact	15K VDC
3 Max Pull-in voltage	9 VDC	3 Insulation Resistance coil/contact	1.00E+12ohm
4 Min Drop-out voltage	1 VDC	4 Operate Time, incl. Bounce	3.0ms
5 Coil Resistance	200ohm	5 Reset Time	1.5ms
Contact Parameters		6 Capacitance Across Contacts	0.8pF
1 Max Contact Rating	50 W	7 Storage Temperature	-35~+105℃
2 Max Switch Voltage	7.5K VDC	8 Operating Temperature	-20~+70 ℃
3 Max Switch Current	3.0 A	9 Soldering Temperature	5 sec.max 260℃
4 Max Carrying Current	5.0 A		
5 Min Breakdown Voltage	15K VDC		
6 Max Contact Resistance	150 mohm		

Version: 01	Designed by		TITLE	
	Checked by		High Voltage Reed Relay	
	Approved by		P/N	Scale: 1:1
	Date	5th, Oct, 2010	HVR12-1A15-04	Page: 1/1

HVR12-1A15-06-150

- High Voltage Reed Relay
- Coil Voltage 12V
- Breakdown up to 15KV

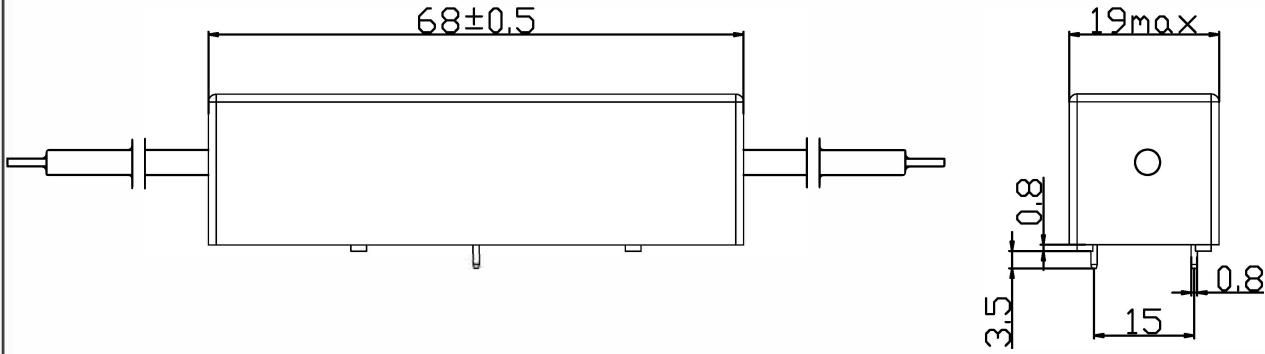
MISENSOR TECH CO.,LTD.

Add:No.25 HangMing Road Hangtoun Town,
Pudong new district, Shanghai
TEL:021- 60976207
WhatsApp:+86 13761571029
Http://www.Misensor.net
sales@misensor.net

[Outline Dimension]

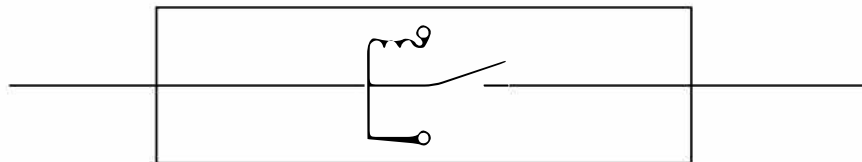
Unit: mm

Scale: 1/1



[Pin Layout]

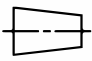

[Top View]



Order Information

HVR12-1A15-06-150

Coil Parameters		Relay Parameters	
1 Nominal coil voltage	12 VDC	1 Min Breakdown Voltage	15K VDC
2 Max Operating voltage	16 VDC	2 Dielectric Strength coil/contact	15K VDC
3 Max Pull-in voltage	9.0 VDC	3 Insulation Resistance coil/contact	1.00E+12ohm
4 Min Drop-out voltage	1.0 VDC	4 Operate Time, incl. Bounce	3.0ms
5 Coil Resistance	200 ohm	5 Reset Time	1.5ms
Contact Parameters		6 Capacitance Across Contacts	0.8pF
1 Max Contact Rating	50 W	7 Storage Temperature	-35~+105°C
2 Max Switch Voltage	10.0K VDC	8 Operating Temperature	-20~+70 °C
3 Max Switch Current	3.0 A	9 Soldering Temperature	5 sec. max 260°C
4 Max Carrying Current	5.0 A		
5 Min Breakdown Voltage	15.0K VDC		
6 Max Contact Resistance	150 mohm		

Version: 02	Designed by		TITLE	 
	Checked by		High Voltage Reed Relay	
	Approved by		P/N	Scale: 1:1
	Date	5th, Dec, 2012	HVR12-1A15-06-150	Page: 1/1

HVR12-1A15-06

- High Voltage Reed Relay
- Coil Voltage 12V
- Breakdown up to 15KV

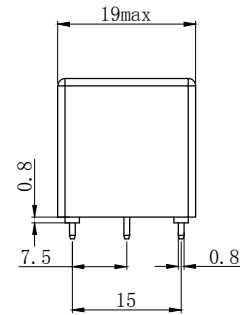
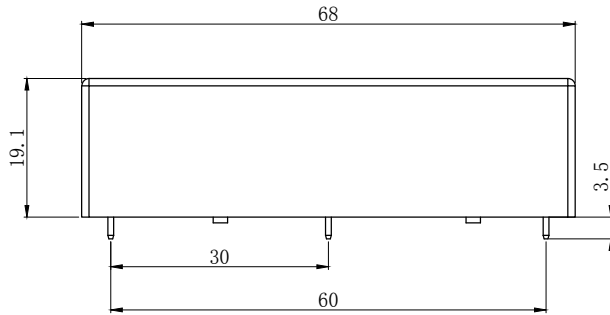
MISENSOR TECH CO,LTD.

Add:No.25 HangMing Road Hangtou Town,
Pudong new district, Shanghai
TEL:021- 60976207
WhatsApp:+86 13761571029
Http://www.Misensor.net
sales@misensor.net

[Outline Dimension]

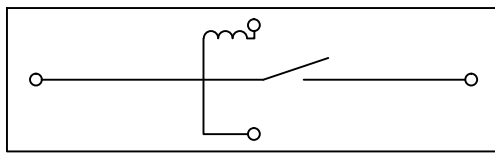
Unit: mm

Scale: 1/1



[Pin Layout]

[Top View]



Order Information

HVR12-1A15-06

Coil Parameters		Relay Parameters	
1 Nominal coil voltage	12 VDC	1 Min Breakdown Voltage	15K VDC
2 Max Operating voltage	16 VDC	2 Dielectric Strength coil/contact	15K VDC
3 Max Pull-in voltage	9 VDC	3 Insulation Resistance coil/contact	1.00E+12ohm
4 Min Drop-out voltage	1 VDC	4 Operate Time, incl. Bounce	3.0ms
5 Coil Resistance	200ohm	5 Reset Time	1.5ms
Contact Parameters		6 Capacitance Across Contacts	0.8pF
1 Max Contact Rating	50 W	7 Storage Temperature	-35~+105°C
2 Max Switch Voltage	10K VDC	8 Operating Temperature	-20~+70 °C
3 Max Switch Current	3.0 A	9 Soldering Temperature	5 sec.max 260°C
4 Max Carrying Current	5.0 A		
5 Min Breakdown Voltage	15K VDC		
6 Max Contact Resistance	150 mohm		

Version: 01	Designed by		TITLE	
	Checked by		High Voltage Reed Relay	
	Approved by		P/N	Scale: 1:1
	Date	5th, Oct, 2010	HVR12-1A15-06	Page: 1/1

HVR12-1A15-150

- High Voltage Reed Relay
- Coil Voltage 12V
- Breakdown up to 15KV

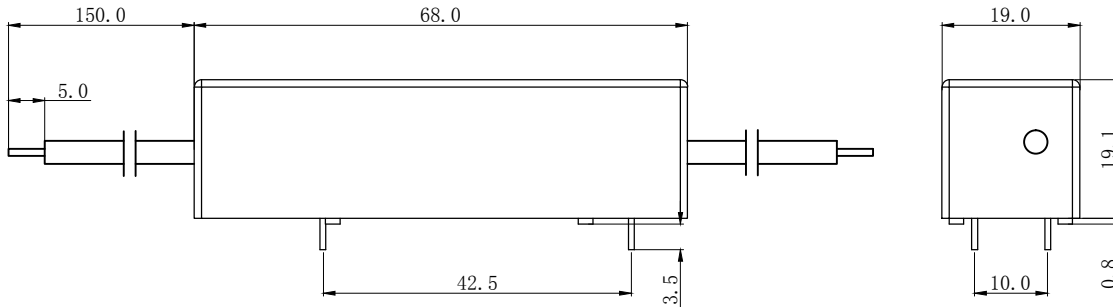
MISENSOR TECH CO,LTD.

Add:No.25 HangMing Road Hangtoun Town,
Pudong new district, Shanghai
TEL:021- 60976207
WhatsApp:+86 13761571029
Http://www.Misensor.net
sales@misensor.net

[Outline Dimension]

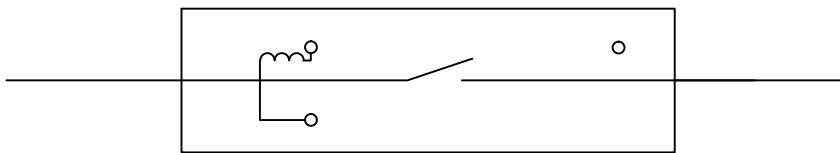
Unit: mm

Scale: 1/1



[Pin Layout]

[Top View]



Order Information

HVR12-1A15-150

Coil Parameters		Relay Parameters	
1 Nominal coil voltage	12 VDC	1 Min Breakdown Voltage	15K VDC
2 Max Operating voltage	16 VDC	2 Dielectric Strength coil/contact	15K VDC
3 Max Pull-in voltage	9 VDC	3 Insulation Resistance coil/contact	1.00E+12ohm
4 Min Drop-out voltage	1 VDC	4 Operate Time, incl. Bounce	3.0ms
5 Coil Resistance	200ohm	5 Reset Time	1.5ms
Contact Parameters		6 Capacitance Across Contacts	0.8pF
1 Max Contact Rating	50 W	7 Storage Temperature	-35~+105°C
2 Max Switch Voltage	10K VDC	8 Operating Temperature	-20~+70 °C
3 Max Switch Current	3.0 A	9 Soldering Temperature	5 sec.max 260°C
4 Max Carrying Current	5.0 A		
5 Min Breakdown Voltage	15K VDC		
6 Max Contact Resistance	150 mohm		

Version: 01	Designed by		TITLE	
	Checked by		High Voltage Reed Relay	
	Approved by		P/N	Scale: 1:1
	Date	5th, Oct, 2010	HVR12-1A15-150	Page: 1/1

HVR12-1A15-S1

- High Voltage Reed Relay
- Coil Voltage 12V
- Breakdown up to 15KV

MISENSOR TECH CO.,LTD.

Add:No.25 HangMing Road Hangtou Town,
Pudong new district, Shanghai

TEL:021- 60976207

WhatsApp:+86 13761571029

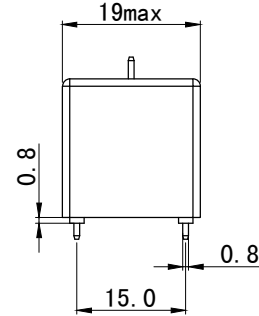
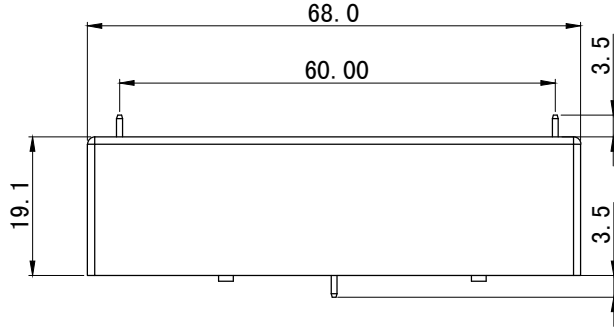
Http://www.Misensor.net

sales@misensor.net

[Outline Dimension]

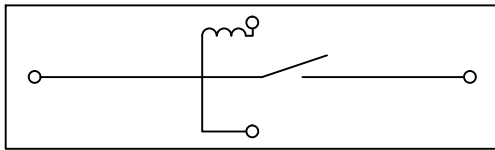
Unit: mm

Scale: 1/1



[Pin Layout]

[Top View]



Order Information

HVR12-1A15-S1

Coil Parameters		Relay Parameters	
1 Nominal coil voltage	12 VDC	1 Min Breakdown Voltage	15K VDC
2 Max Operating voltage	16 VDC	2 Dielectric Strength coil/contact	15K VDC
3 Max Pull-in voltage	9.0 VDC	3 Insulation Resistance coil/contact	1.00E+12ohm
4 Min Drop-out voltage	1.0 VDC	4 Operate Time, incl. Bounce	3.0ms
5 Coil Resistance	200ohm	5 Reset Time	1.5ms
Contact Parameters		6 Capacitance Across Contacts	0.8pF
1 Max Contact Rating	50 W	7 Storage Temperature	-35 ~ +105°C
2 Max Switch Voltage	10K VDC	8 Operating Temperature	-20 ~ +70 °C
3 Max Switch Current	3.0 A	9 Soldering Temperature	5 sec.max 260°C
4 Max Carrying Current	5.0 A		
5 Min Breakdown Voltage	15K VDC		
6 Max Contact Resistance	150 mohm		

Remark:

RoHS

Designed by

Gu Rui Nian

Checked by

Xu Deng Kui

Approved by

Xu Tao

Date

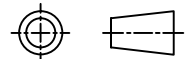
2011. 11. 15

TITLE

High Voltage Reed Relay

P/N

HVR12-1A15-S1



Version: V1.0

Page: 1/1

HVR12-1A15-S200

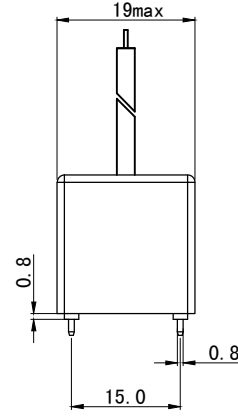
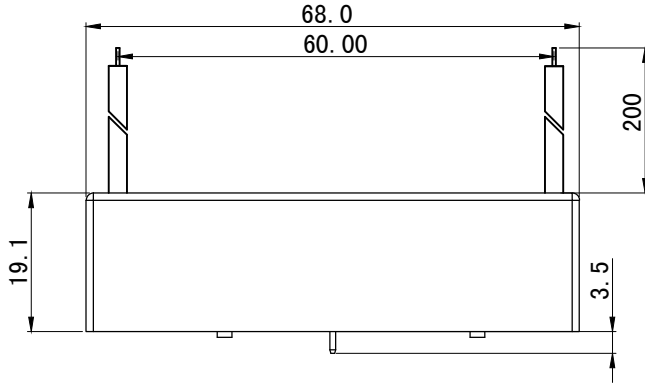
- High Voltage Reed Relay
- Coil Voltage 12V
- Breakdown up to 15KV

MISENSOR TECH CO.,LTD.

Add:No.25 HangMing Road Hangtoun Town,
 Pudong new district, Shanghai
 TEL:021- 60976207
 WhatsApp:+86 13761571029
 Http://www.Misensor.net
 sales@misensor.net

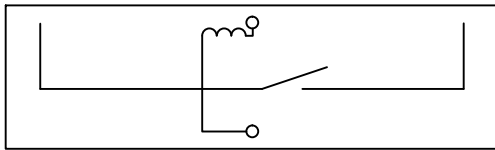
[Outline Dimension]

Unit: mm Scale: 1/1



[Pin Layout]

[Top View]



Order Information

HVR12-1A15-S200

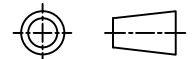
Coil Parameters		Relay Parameters	
1 Nominal coil voltage	12 VDC	1 Min Breakdown Voltage	15K VDC
2 Max Operating voltage	16 VDC	2 Dielectric Strength coil/contact	15K VDC
3 Max Pull-in voltage	9.0 VDC	3 Insulation Resistance coil/contact	1.00E+12ohm
4 Min Drop-out voltage	1.0 VDC	4 Operate Time, incl. Bounce	3.0ms
5 Coil Resistance	200ohm	5 Reset Time	1.5ms
Contact Parameters		6 Capacitance Across Contacts	0.8pF
1 Max Contact Rating	50 W	7 Storage Temperature	-35 ~ +105°C
2 Max Switch Voltage	10K VDC	8 Operating Temperature	-20 ~ +70 °C
3 Max Switch Current	3.0 A	9 Soldering Temperature	5 sec.max 260°C
4 Max Carrying Current	5.0 A		
5 Min Breakdown Voltage	15K VDC		
6 Max Contact Resistance	150 mohm		

Remark:

RoHS

Designed by	Gu Rui Nian
Checked by	Xu Deng Kui
Approved by	Xu Tao
Date	2011. 11. 15

TITLE	High Voltage Reed Relay
P/N	HVR12-1A15-S200



Version: V1.0
 Page: 1/1

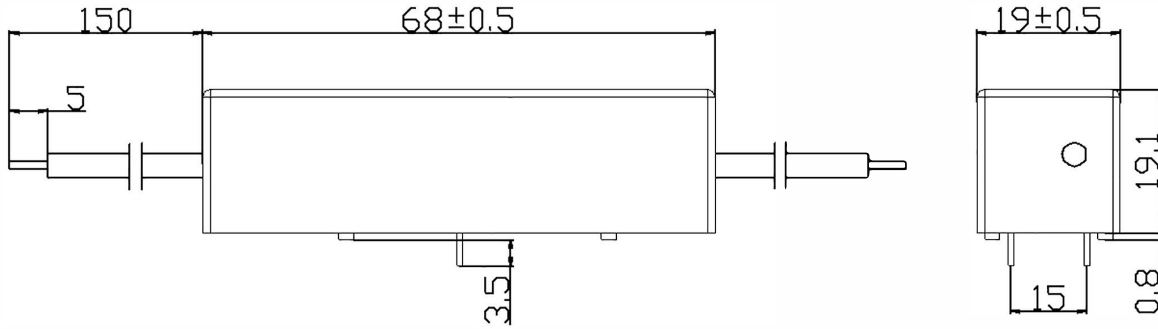
HVR12-1B15-06-150

- High Voltage Reed Relay
- Coil Voltage 12V
- Breakdown up to 15KV

MISENSOR TECH CO.,LTD.
 Add:No.25 HangMing Road Hangtou Town,
 Pudong new district, Shanghai
 TEL:021- 60976207
 WhatsApp:+86 13761571029
 Http://www.Misensor.net
 sales@misensor.net

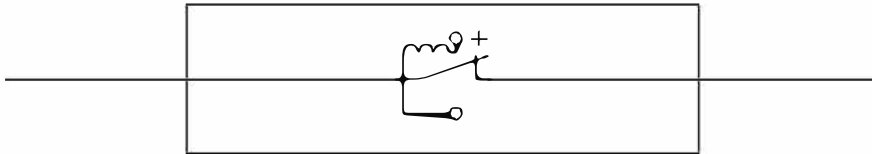
[Outline Dimension]

Unit: mm Scale: 1/1



[Pin Layout]

[Top View]



Order Information
HVR12-1B15-06-150

Coil Parameters		Relay Parameters	
1 Nominal coil voltage	12 VDC	1 Min Breakdown Voltage	15K VDC
2 Max Operating voltage	16 VDC	2 Dielectric Strength coil/contact	15K VDC
3 Max Pull-in voltage	9.0 VDC	3 Insulation Resistance coil/contact	1.00E+12ohm
4 Min Drop-out voltage	1.0 VDC	4 Operate Time, incl. Bounce	3.0ms
5 Coil Resistance	200 ohm	5 Reset Time	1.5ms
Contact Parameters		6 Capacitance Across Contacts	0.8pF
1 Max Contact Rating	50 W	7 Storage Temperature	-35 ~ +105℃
2 Max Switch Voltage	10K VDC	8 Operating Temperature	-20 ~ +70 ℃
3 Max Switch Current	3.0 A	9 Soldering Temperature	5 sec. max 260℃
4 Max Carrying Current	5.0 A		
5 Min Breakdown Voltage	15K VDC		
6 Max Contact Resistance	150 mohm		

Version: 02	Designed by		TITLE	
	Checked by		Misensor Form B Reed Relay	
	Approved by		P/N	Scale: 1:1
	Date	15th, Dec, 2014	HVR12-1B15-06-150	Page: 1/1

HVR24-1A15-04

- High Voltage Reed Relay
- Coil Voltage 24V
- Breakdown up to 15KV

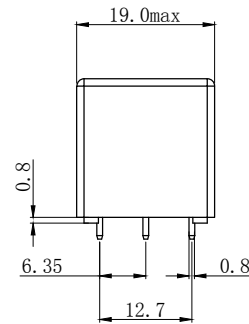
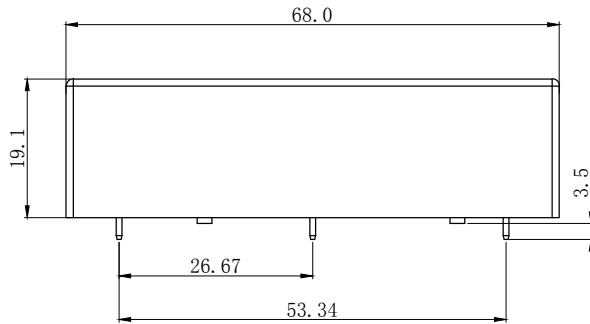
MISENSOR TECH CO.,LTD.

Add:No.25 HangMing Road Hangtou Town,
Pudong new district, Shanghai
TEL:021- 60976207
WhatsApp:+86 13761571029
Http://www.Misensor.net
sales@misensor.net

[Outline Dimension]

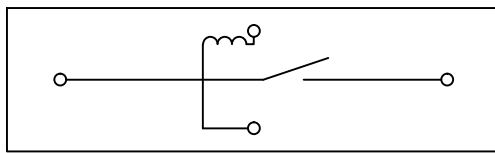
Unit: mm

Scale: 1/1



[Pin Layout]

[Top View]



Order Information

HVR24-1A15-04

Coil Parameters		Relay Parameters	
1 Nominal coil voltage	24 VDC	1 Min Breakdown Voltage	15K VDC
2 Max Operating voltage	29 VDC	2 Dielectric Strength coil/contact	15K VDC
3 Max Pull-in voltage	18 VDC	3 Insulation Resistance coil/contact	1.00E+12ohm
4 Min Drop-out voltage	2 VDC	4 Operate Time, incl. Bounce	3.0ms
5 Coil Resistance	600ohm	5 Reset Time	1.5ms
Contact Parameters		6 Capacitance Across Contacts	0.8pF
1 Max Contact Rating	50 W	7 Storage Temperature	-35~+105°C
2 Max Switch Voltage	10K VDC	8 Operating Temperature	-20~+70 °C
3 Max Switch Current	3.0 A	9 Soldering Temperature	5 sec.max 260°C
4 Max Carrying Current	5.0 A		
5 Min Breakdown Voltage	15K VDC		
6 Max Contact Resistance	150 mohm		

Version: 01	Designed by		TITLE	
	Checked by		High Voltage Reed Relay	
	Approved by		P/N	Scale: 1:1
	Date	5th, Oct, 2010	HVR24-1A15-04	Page: 1/1

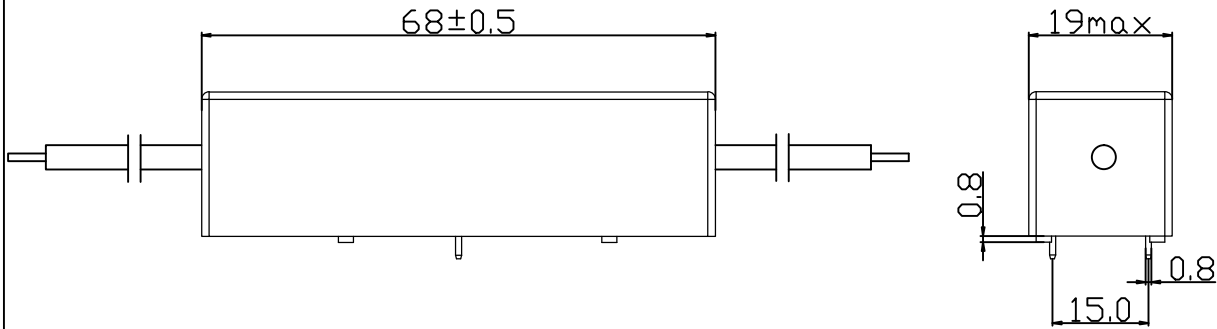
HVR24-1A15-06-150

- High Voltage Reed Relay
- Coil Voltage 24V
- Breakdown up to 10KV

[Outline Dimension]

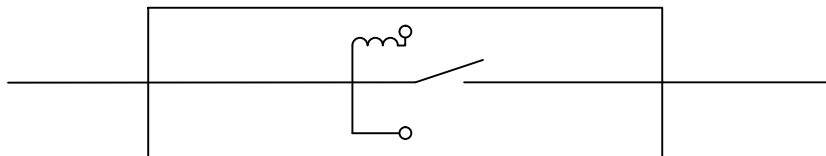
Unit: mm

Scale: 1/1



[Pin Layout]

[Top View]



Order Information

HVR24-1A15-06-150

Coil Parameters		Relay Parameters	
1 Nominal coil voltage	24 VDC	1 Min Breakdown Voltage	15K VDC
2 Max Operating voltage	29 VDC	2 Dielectric Strength coil/contact	15K VDC
3 Max Pull-in voltage	18 VDC	3 Insulation Resistance coil/contact	1.00E+12ohm
4 Min Drop-out voltage	2.0 VDC	4 Operate Time, incl. Bounce	3.0ms
5 Coil Resistance	600 ohm	5 Reset Time	1.5ms
Contact Parameters		6 Capacitance Across Contacts	0.8pF
1 Max Contact Rating	50 W	7 Storage Temperature	-35~+105°C
2 Max Switch Voltage	10K VDC	8 Operating Temperature	-20~+70 °C
3 Max Switch Current	3.0 A	9 Soldering Temperature	5 sec. max 260°C
4 Max Carrying Current	5.0 A		
5 Min Breakdown Voltage	15K VDC		
6 Max Contact Resistance	150 mohm		

Version: 01	Designed by		TITLE	
	Checked by		High Voltage Reed Relay	
	Approved by		P/N	Scale: 1:1
	Date	5th, Dec, 2010	HVR24-1A15-06-150	Page: 1/1

HVR24-1A15-06

- High Voltage Reed Relay
- Coil Voltage 24V
- Breakdown up to 15KV

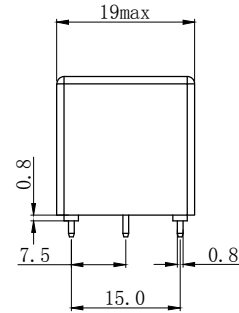
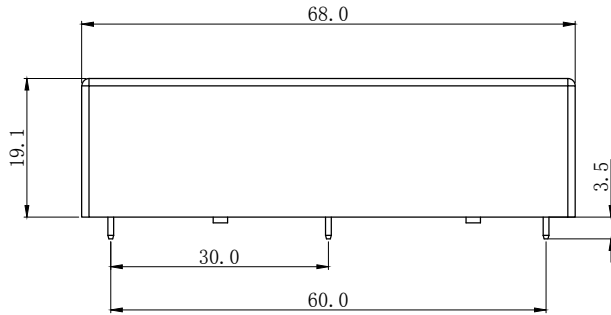
MISENSOR TECH CO,LTD.

Add:No.25 HangMing Road Hangtou Town,
Pudong new district, Shanghai
TEL:021- 60976207
WhatsApp:+86 13761571029
Http://www.Misensor.net
sales@misensor.net

[Outline Dimension]

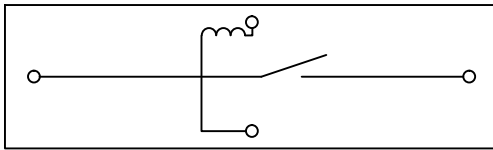
Unit: mm

Scale: 1/1



[Pin Layout]

[Top View]



Order Information

HVR24-1A15-06

Coil Parameters		Relay Parameters	
1 Nominal coil voltage	24 VDC	1 Min Breakdown Voltage	15K VDC
2 Max Operating voltage	29 VDC	2 Dielectric Strength coil/contact	15K VDC
3 Max Pull-in voltage	18 VDC	3 Insulation Resistance coil/contact	1.00E+12ohm
4 Min Drop-out voltage	2 VDC	4 Operate Time, incl. Bounce	3.0ms
5 Coil Resistance	600ohm	5 Reset Time	1.5ms
Contact Parameters		6 Capacitance Across Contacts	0.8pF
1 Max Contact Rating	50 W	7 Storage Temperature	-35~+105°C
2 Max Switch Voltage	10K VDC	8 Operating Temperature	-20~+70 °C
3 Max Switch Current	3.0 A	9 Soldering Temperature	5 sec.max 260°C
4 Max Carrying Current	5.0 A		
5 Min Breakdown Voltage	15K VDC		
6 Max Contact Resistance	150 mohm		

Version: 01	Designed by		TITLE	
	Checked by		High Voltage Reed Relay	
	Approved by		P/N	Scale: 1:1
	Date	5th, Oct, 2010	HVR24-1A15-06	Page: 1/1

HVR24-1A15-150

- High Voltage Reed Relay
- Coil Voltage 24V
- Breakdown up to 15KV

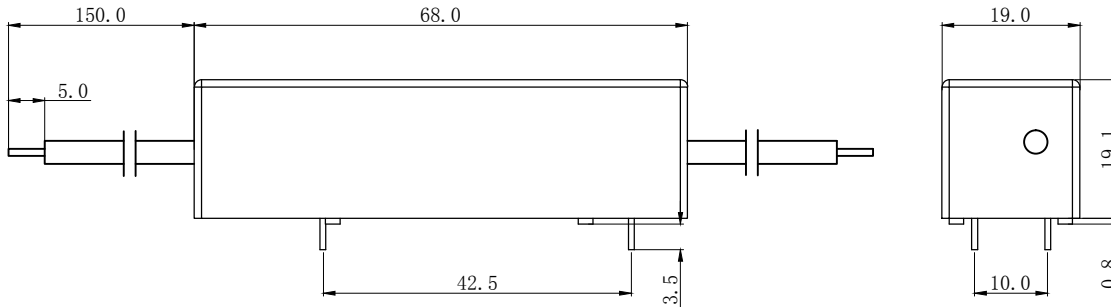
MISENSOR TECH CO.,LTD.

Add:No.25 HangMing Road Hangtoun Town,
Pudong new district, Shanghai
TEL:021- 60976207
WhatsApp:+86 13761571029
Http://www.Misensor.net
sales@misensor.net

[Outline Dimension]

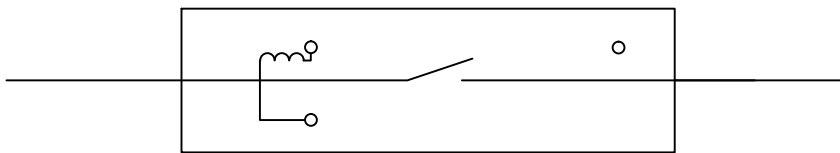
Unit: mm

Scale: 1/1



[Pin Layout]

[Top View]



Order Information

HVR24-1A15-150

Coil Parameters		Relay Parameters	
1 Nominal coil voltage	24 VDC	1 Min Breakdown Voltage	15K VDC
2 Max Operating voltage	29 VDC	2 Dielectric Strength coil/contact	15K VDC
3 Max Pull-in voltage	18 VDC	3 Insulation Resistance coil/contact	1.00E+12ohm
4 Min Drop-out voltage	2 VDC	4 Operate Time, incl. Bounce	3.0ms
5 Coil Resistance	600ohm	5 Reset Time	1.5ms
Contact Parameters		6 Capacitance Across Contacts	0.8pF
1 Max Contact Rating	50 W	7 Storage Temperature	-35~+105°C
2 Max Switch Voltage	10K VDC	8 Operating Temperature	-20~+70 °C
3 Max Switch Current	3.0 A	9 Soldering Temperature	5 sec. max 260°C
4 Max Carrying Current	5.0 A		
5 Min Breakdown Voltage	15K VDC		
6 Max Contact Resistance	150 mohm		

Version: 01	Designed by		TITLE	
	Checked by		High Voltage Reed Relay	
	Approved by		P/N	Scale: 1:1
	Date	5th, Oct, 2010	HVR24-1A15-150	Page: 1/1

HVR24-1A15-S1

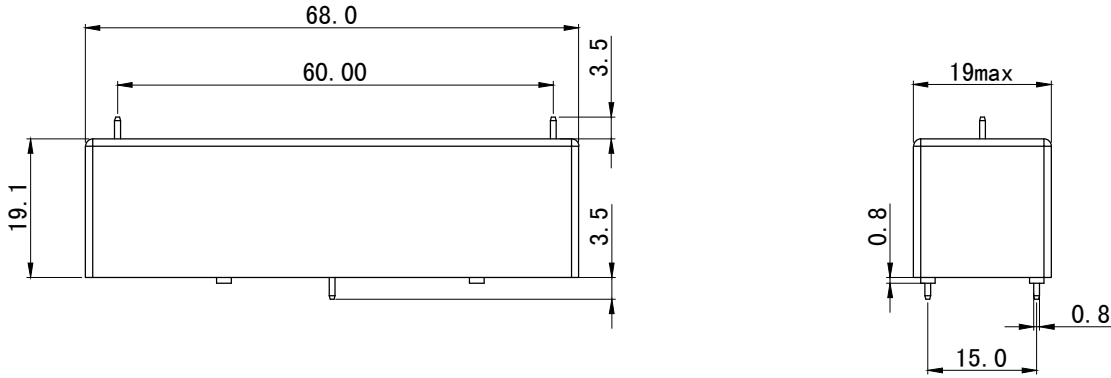
- High Voltage Reed Relay
- Coil Voltage 24V
- Breakdown up to 15KV

MISENSOR TECH CO,LTD.

Add:No.25 HangMing Road Hangtoun Town,
Pudong new district, Shanghai
TEL:021- 60976207
WhatsApp:+86 13761571029
Http://www.Misensor.net
sales@misensor.net

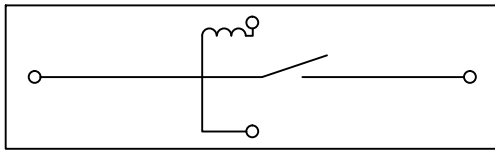
[Outline Dimension]

Unit: mm Scale: 1/1



[Pin Layout]

[Top View]



Order Information

HVR24-1A15-S1

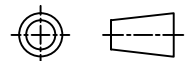
Coil Parameters		Relay Parameters	
1 Nominal coil voltage	24 VDC	1 Min Breakdown Voltage	15K VDC
2 Max Operating voltage	29 VDC	2 Dielectric Strength coil/contact	15K VDC
3 Max Pull-in voltage	18 VDC	3 Insulation Resistance coil/contact	1.00E+12ohm
4 Min Drop-out voltage	2 VDC	4 Operate Time, incl. Bounce	3.0ms
5 Coil Resistance	600ohm	5 Reset Time	1.5ms
Contact Parameters		6 Capacitance Across Contacts	0.8pF
1 Max Contact Rating	50 W	7 Storage Temperature	-35 ~ +105°C
2 Max Switch Voltage	10K VDC	8 Operating Temperature	-20 ~ +70 °C
3 Max Switch Current	3.0 A	9 Soldering Temperature	5 sec.max 260°C
4 Max Carrying Current	5.0 A		
5 Min Breakdown Voltage	15K VDC		
6 Max Contact Resistance	150 mohm		

Remark:

RoHS

Designed by	Gu Rui Nian
Checked by	Xu Deng Kui
Approved by	Xu Tao
Date	2011. 11. 15

TITLE	High Voltage Reed Relay
P/N	HVR24-1A15-S1



Version: V1.0
Page: 1/1

HVR24-1A15-S200

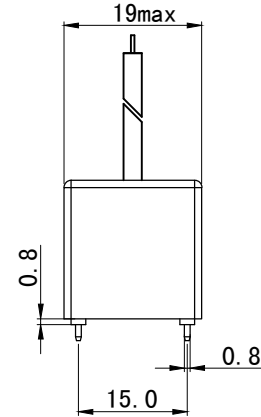
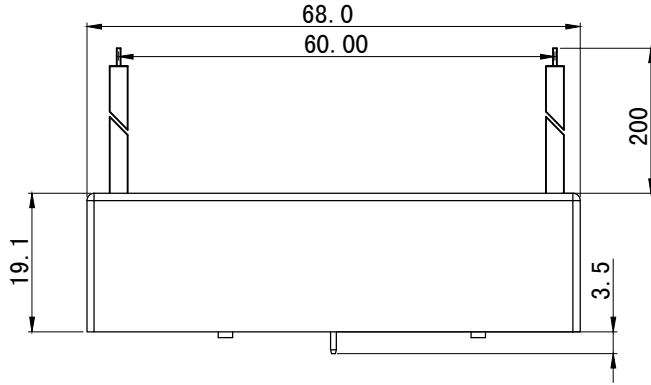
- High Voltage Reed Relay
- Coil Voltage 24V
- Breakdown up to 15KV

MISENSOR TECH CO,LTD.

Add:No.25 HangMing Road Hangtoun Town,
Pudong new district, Shanghai
TEL:021- 60976207
WhatsApp:+86 13761571029
Http://www.Misensor.net
sales@misensor.net

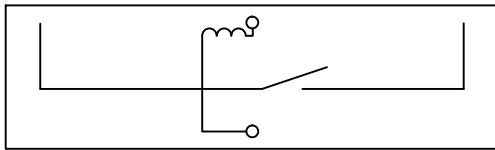
[Outline Dimension]

Unit: mm Scale: 1/1



[Pin Layout]

[Top View]



Order Information

HVR24-1A15-S200


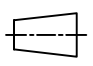
Coil Parameters		Relay Parameters	
1 Nominal coil voltage	24 VDC	1 Min Breakdown Voltage	15K VDC
2 Max Operating voltage	29 VDC	2 Dielectric Strength coil/contact	15K VDC
3 Max Pull-in voltage	18 VDC	3 Insulation Resistance coil/contact	1.00E+12ohm
4 Min Drop-out voltage	2.0 VDC	4 Operate Time, incl. Bounce	3.0ms
5 Coil Resistance	600ohm	5 Reset Time	1.5ms
Contact Parameters		6 Capacitance Across Contacts	0.8pF
1 Max Contact Rating	50 W	7 Storage Temperature	-35 ~ +105°C
2 Max Switch Voltage	10K VDC	8 Operating Temperature	-20 ~ +70 °C
3 Max Switch Current	3.0 A	9 Soldering Temperature	5 sec.max 260°C
4 Max Carrying Current	5.0 A		
5 Min Breakdown Voltage	15K VDC		
6 Max Contact Resistance	150 mohm		

Remark:

RoHS

Designed by	Gu Rui Nian
Checked by	Xu Deng Kui
Approved by	Xu Tao
Date	2011. 11. 15

TITLE	High Voltage Reed Relay
P/N	HVR24-1A15-S200

	
Version: V1.0	
Page: 1/1	