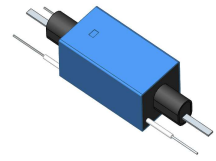


HVSR12-1A10

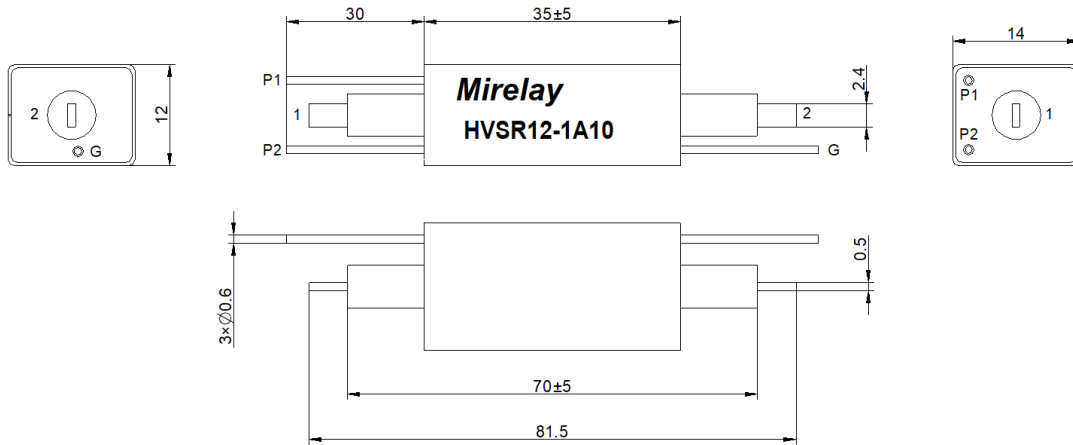
- High Voltage Reed Relay
- Low Contact Resistance
- Breakdown up to 10KV
- Excellent Lifetime Characteristics
- External magnetic and electrostatic shield



[Outline Dimension]

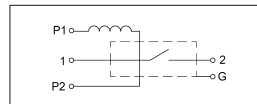
Unit: mm

Scale: 1/1



[Pin Layout]

[Top View]



Order Information

HVSR12-1A10

Coil Parameters		Relay Parameters	
1 Nominal coil voltage	12 VDC	1 Min Breakdown Voltage	10KV DC
2 Max Operating voltage	16 VDC	2 Dielectric Strength coil/contact	15KV DC
3 Max Pull-in voltage	9 VDC	3 Insulation Resistance coil/contact	1.00E+12ohm
4 Min Drop-out voltage	1 VDC	4 Operate Time, incl. Bounce	3.0ms
5 Coil Resistance	75 ohm	5 Reset Time	1.5ms
Contact Parameters		6 Capacitance Across Contacts	0.8pF
1 Contact Form	1 Form A	7 Storage Temperature	-35~+105°C
2 Max Contact Rating	50 W	8 Operating Temperature	-20~+70°C
3 Max Switch Voltage	7.5KV ACpeak/DC	9 Soldering Temperature	5 sec. max 260°C
4 Max Switch Current	3.0 A		
5 Max Carrying Current	5.0 A		
6 Min Breakdown Voltage	10KV DC		
7 Max Contact Resistance	150 mohm		

Version: 01	Designed by		TITLE High Voltage Reed Relay	
	Checked by			
	Approved by		P/N HVSR12-1A10	Scale: 1:1
	Date	26th, Aug, 2022		Page: 1/1