

HVR24-2A06

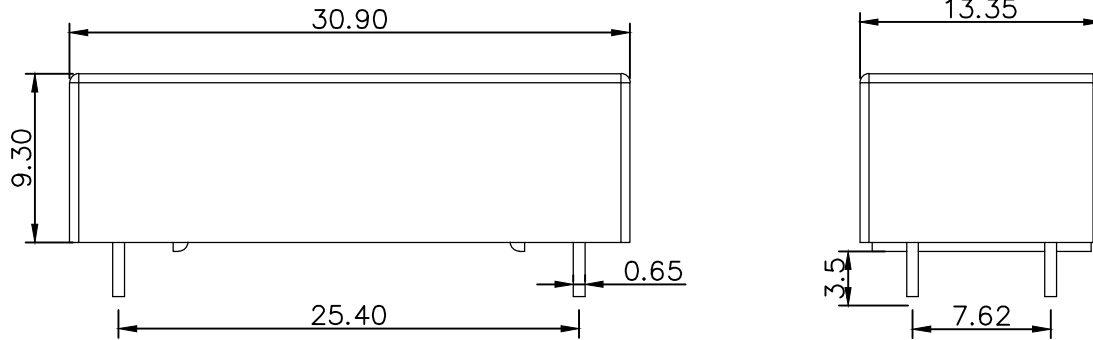
- High Voltage Reed Relay
- Coil Voltage 24V
- Breakdown up to 6KV

SHR Relay

www.reed-relay.com
 sales@reed-relay.com
 +86 13761571029

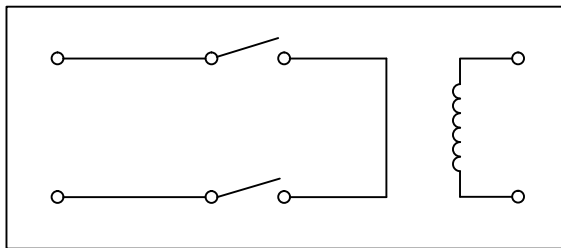
[Outline Dimension]

Unit: mm



[Pin Layout]

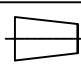

[Top View]



Order Information

HVR24-2A06

Coil Parameters		Relay Parameters	
1 Nominal coil voltage	24 VDC	1 Min Breakdown Voltage	6K VDC
2 Max Operating voltage	29 VDC	2 Dielectric Strength coil/contact	6K VDC
3 Max Pull-in voltage	18 VDC	3 Insulation Resistance coil/contact	1.00E+12ohm
4 Min Drop-out voltage	2.0 VDC	4 Operate Time, incl. Bounce	1.0ms
5 Coil Resistance	1600ohm	5 Reset Time	0.1ms
Contact Parameters		6 Capacitance Across Contacts	0.2pF
1 Max Contact Rating	100 W	7 Storage Temperature	-35~+105°C
2 Max Switch Voltage	1000VAC peak/VDC	8 Operating Temperature	-20~+70 °C
3 Max Switch Current	1.0 A	9 Soldering Temperature	5 sec. max 260°C
4 Max Carrying Current	2.5 A		
5 Min Breakdown Voltage	6K VDC		
6 Max Contact Resistance	150*2 mohm		

Version: 01	Designed by		TITLE	 
	Checked by		High Voltage Reed Relay	
	Approved by		P/N	
	Date	2013-05-21	HVR24-2A06	Page: 1/1