

# MRS05 Series - Reed Switch Integrated Resistor

SHR AUTOSENSOR TECH LIMITED Website: [www.reed-relay.com](http://www.reed-relay.com)

Email: [sales@reed-relay.com](mailto:sales@reed-relay.com)

## 1. Features

- Small single-contact switch
- Single in-line package
- High insulation resistance, up to  $10^9 \Omega$
- Suitable for low power operation
- Custom design available
- Conforming to RoHS directive

## 2. Performance Data

Parameter	Value
Rated Power (max.)	10 W
Switching Voltage (Max DC/Peak AC)	200 V
Switching Current (Max DC/Peak AC)	0.5 A
Carry Current (max.)	1.0 A
Contact Resistance (@0.5V & 50mA)	200 m $\Omega$
Breakdown Voltage	250 VDC
Insulation Resistance	$10^9 \Omega$
Operating Time (max.)	0.6 ms
Release Time (max.)	0.1 ms
Capacitance (typ.)	0.4 pF
Vibration Resistance	20 G
Shock Resistance	30 G
Operating Temperature	-40 +130 °C

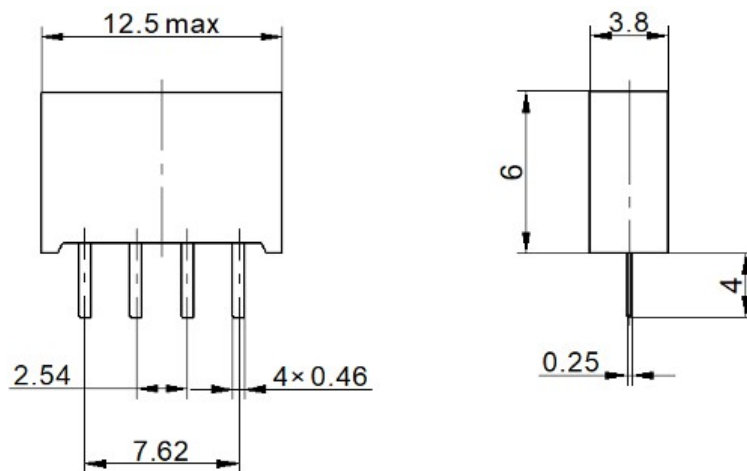
Parameter	Value
Storage Temperature	-50 +130 °C

### 3. Example of Order Marking

MRS05 - □ - □ (XXX)

Position	Description	Options
①	Product model	MRS05
②	Magnetic sensitivity (AT)	A: 05-10; B: 10-15; C: 15-20; D: 20-25; E: 25-30; F: 30-35
③	Resistance value	56: 56Ω (1/8 W); 100: 100Ω (1/8 W); ... (Can be defined as required)
④	Special code	Customer special requirement

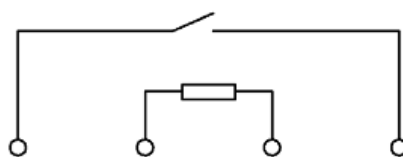
### 4. Outline Drawing



MRS05 Outline Drawing

Refer to technical drawings for exact dimensions and mounting configuration.

### 5. Layout



MRS05 PCB Layout

Standard PCB footprint layout for MRS05 series switches.

---

## 6. Precautions for Use

1. **Environment:** Avoid installation in areas directly exposed to rain, strong magnetic fields, or near objects with thermal radiation.
  2. **Density:** Avoid excessive bulk density in use, which may affect the electrical characteristics of the switch.
  3. **Mechanical Shock:** Excessive mechanical shock strength may change its magnetic sensitivity or even damage the switch.
  4. **Soldering:** Use appropriate pin tightening or heat dissipation to prevent mechanical or thermal stress during welding.
  5. **Welding Parameters:** The maximum welding temperature is 260°C and the time is less than 5 seconds.
- 

## Technical Support

For specific parameters and performance details, please refer to the specifications and samples provided by SHR AUTOSENSOR TECH LIMITED.

Performance parameters vary from application area to application area. Customers should choose the appropriate product according to the specific conditions of use.

### Contact Information:

**SHR AUTOSENSOR TECH LIMITED**  Email: [sales@reed-relay.com](mailto:sales@reed-relay.com)

 Website: [www.reed-relay.com](http://www.reed-relay.com)

---

## Disclaimer

This document is for customer reference only. Specifications and parameters may be changed due to product improvement without further notice.

*Document Version: 2.0 © 2026 SHR AUTOSENSOR TECH LIMITED. All rights reserved.*